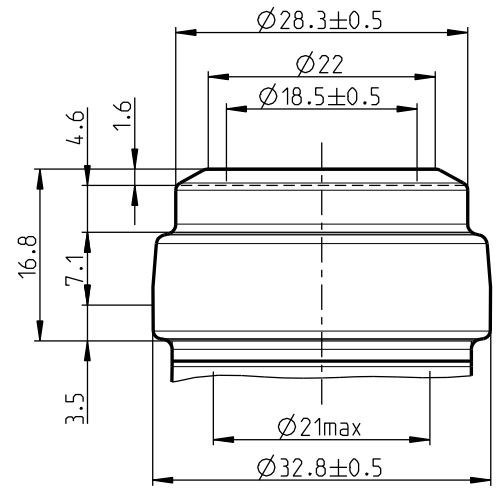
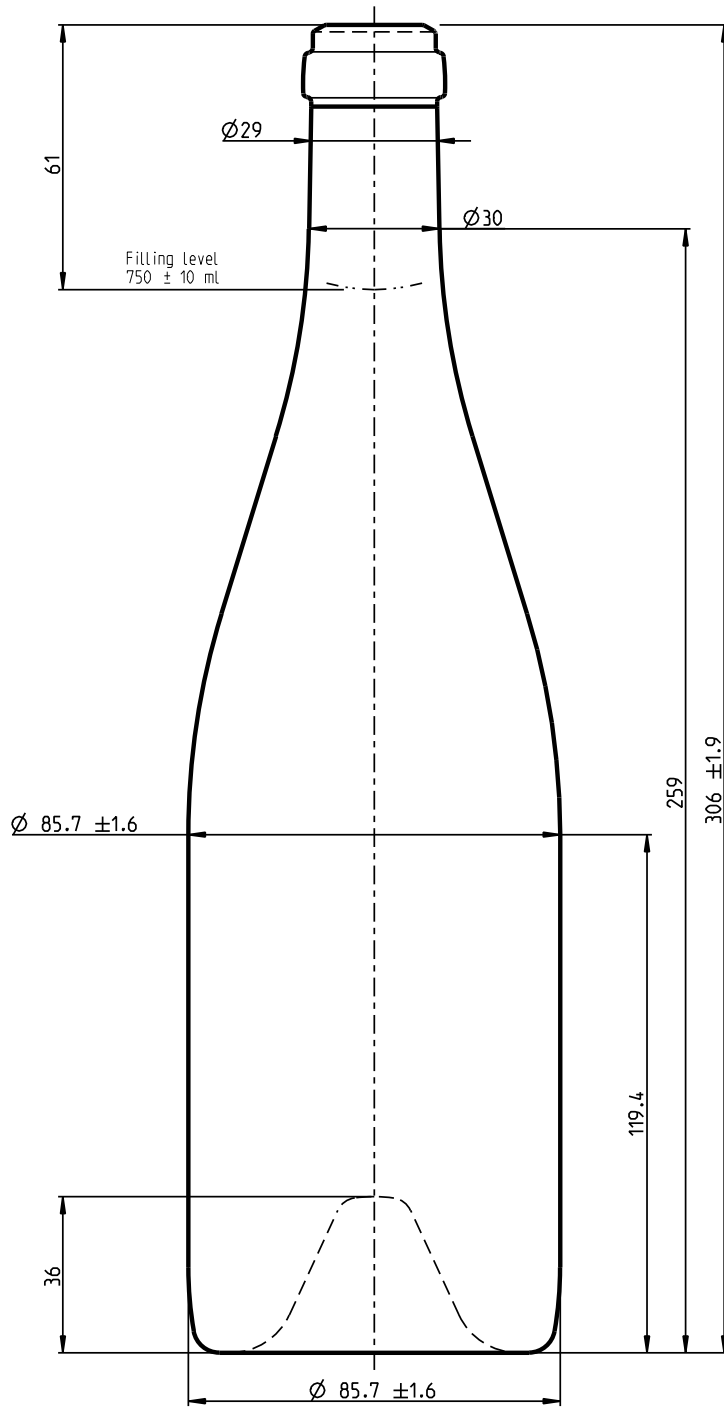


BURGUNDY 3



KMC
G L A S S



- ⌘ Burgundy 3

- ⌘ Weight - 810 g

- ⌘ Filling CAP - 750 ml

- ⌘ Color - Olive Green

- ⌘ Diameter - 85.7 ± 1.6

- ⌘ Entrance bore diameter - 18.5

www.kmc.glass
sales@kmc.glass